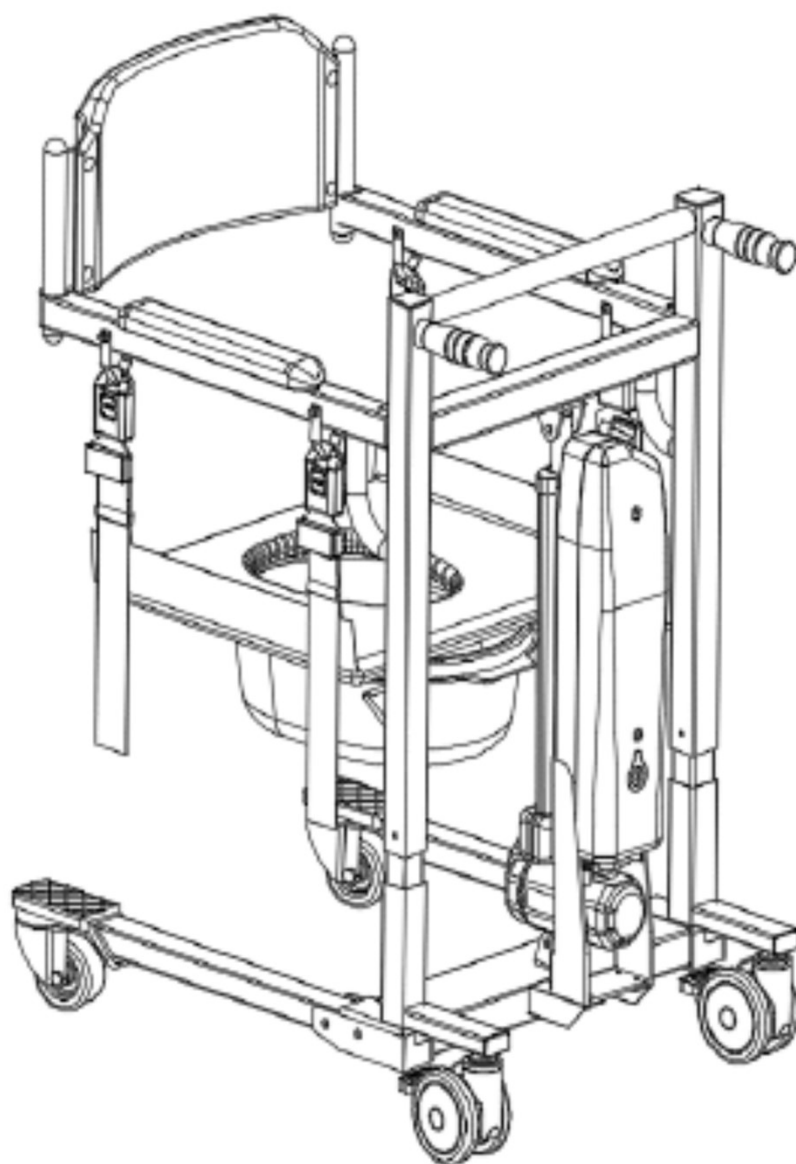


ELECTRIC PATIENT LIFT

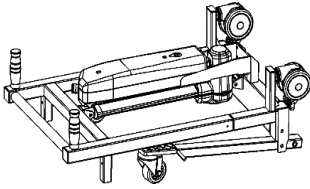
INSTRUCTION MANUAL



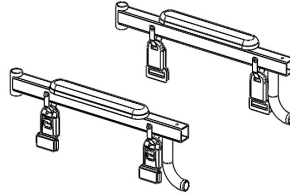
1、 Installation instructions

1. Unpacking acceptance

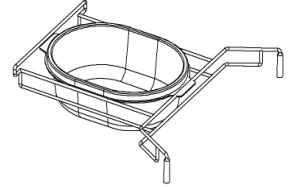
Please check whether the host and accessories are missing (accessories are subject to the accessory list provided). If there is any loss or missing, please contact the dealer or our company in time.



lift frame x 1set



armrest x 1set



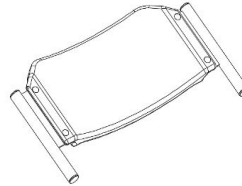
Potty/potty frame x 1 set



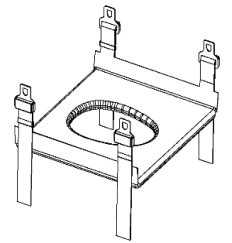
Charging Cable x 1pcs



Long bolt x 2pcs
Short bolt x 2pcs



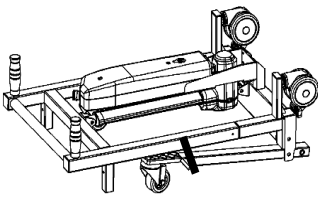
backrest x 1pcs



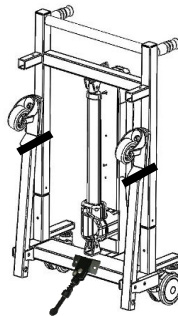
Lift sling x 1pcs

2. Installation steps

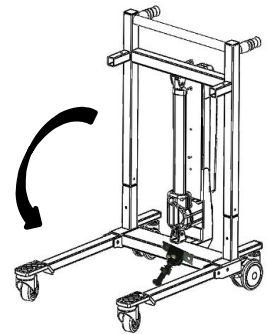
Step 1: Install the support legs



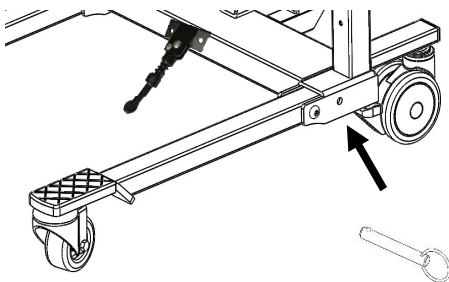
①Lift the lift frame out of the carton.



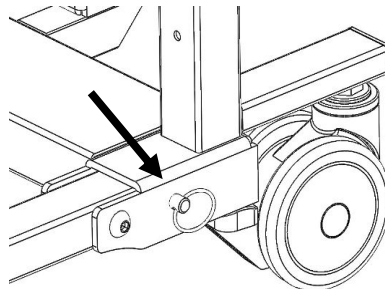
②Open the supporting feet and place the lift upright.



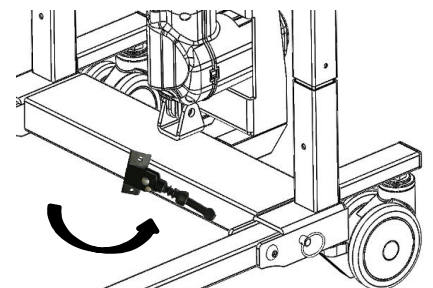
③Untie the straps and open the support legs.



④Insert the long plug into the mounting hole.

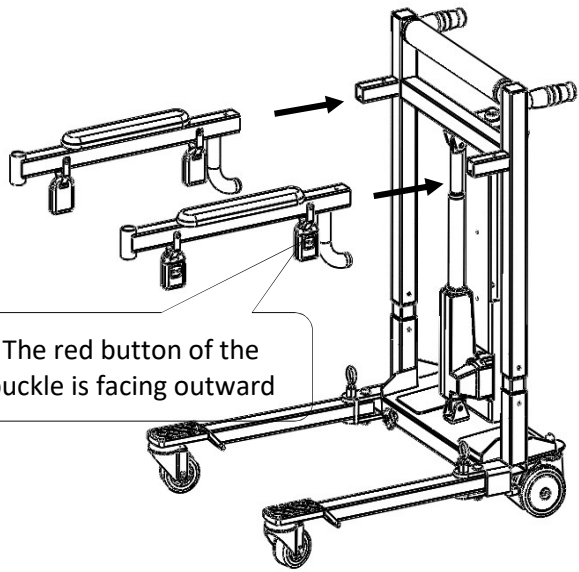


⑤The bolts are installed in place, and the operations on the left and right sides are the same.

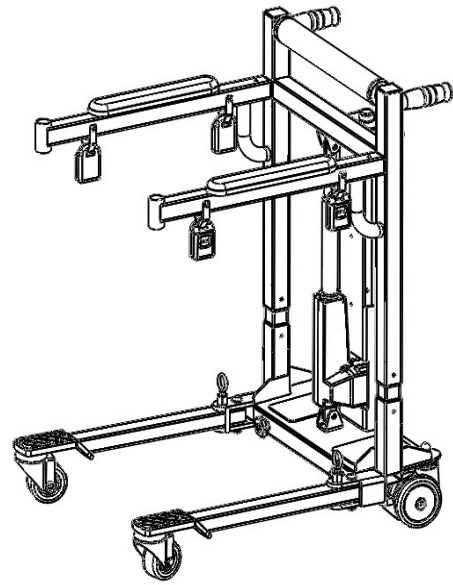


⑥Put away the feet.

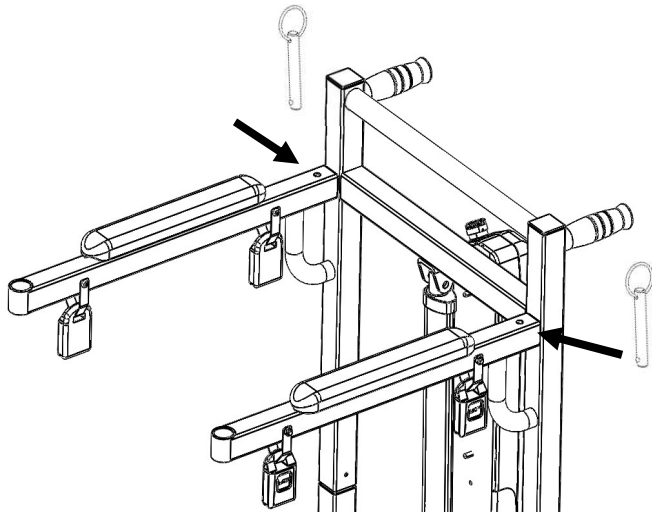
Step 2: Install the handrails



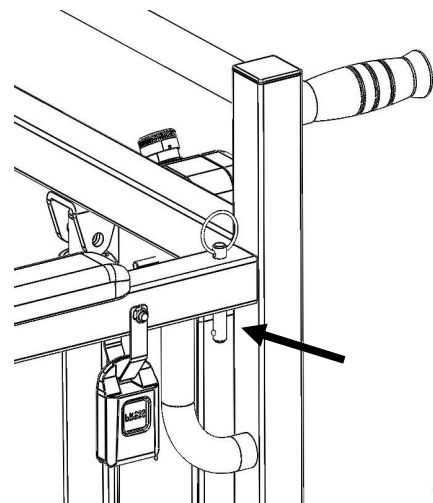
① Distinguish the left and right armrests.



② Insert the left and right armrests into the main frame.



③ Insert the short plug into the mounting hole.

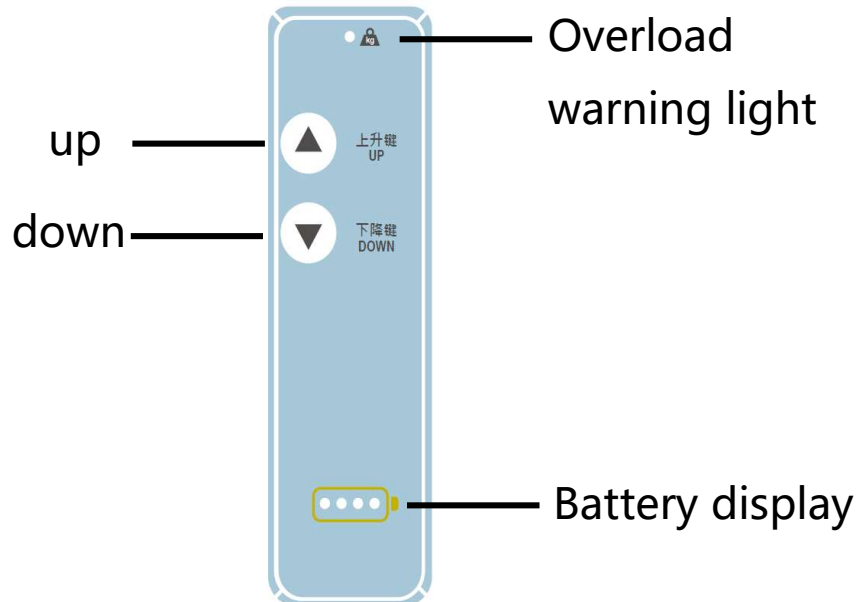


④ Finish.

2、 User guide

1、 Hand control use

Use the up and down buttons on the hand controller to control the up and down of the main frame, release the button to lift and stop the movement.



2、 Emergency stop button function

The emergency stop button is used to interrupt and turn on the power supply, so that the motor will stop working immediately in case of sudden danger.

Close: Press the red button, as shown in Figure 3-1, the control device is closed;

Turn on: Turn the red button clockwise, as shown in Figure 3-2, the control device works normally.

Strong recommendation: press this button when the device has not been used for more than 3 days. In this way, the battery in the battery box can be kept long-lasting.

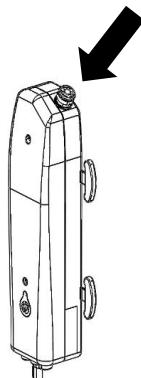


图3-1

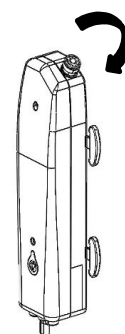
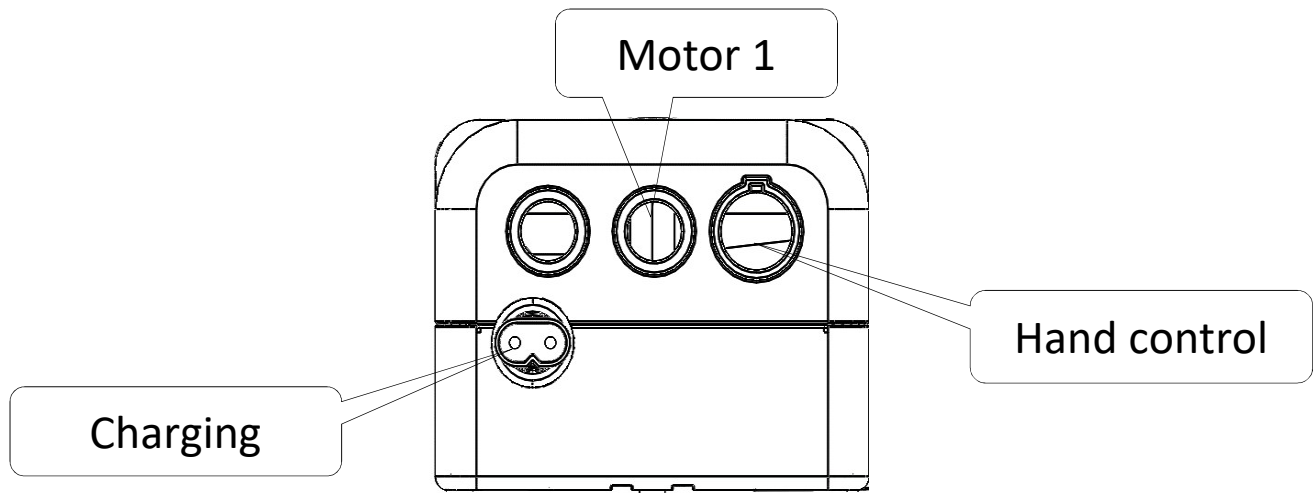


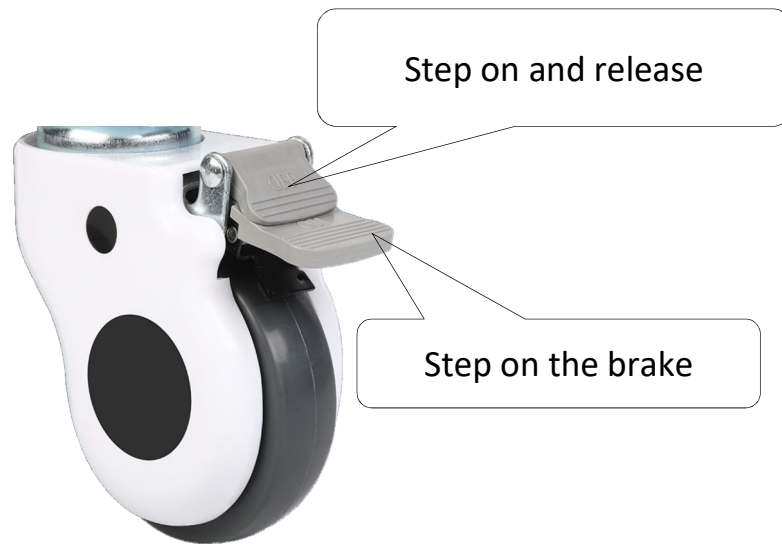
图3-2

3. Connection of control equipment

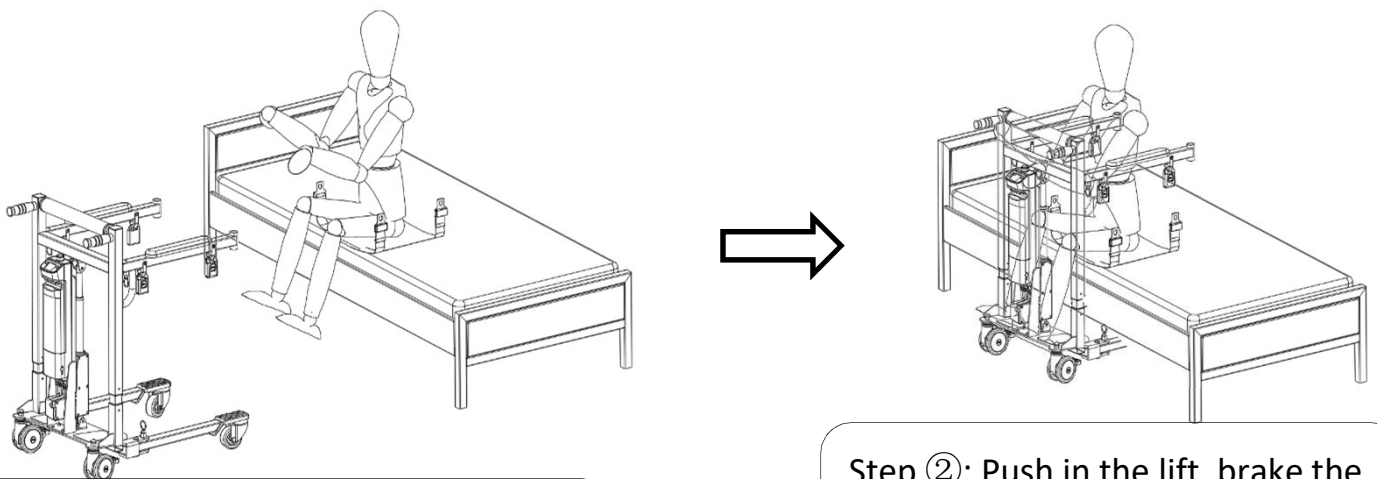
There are a total of 4 sockets for this device.



4. Opening and braking of the rear wheel

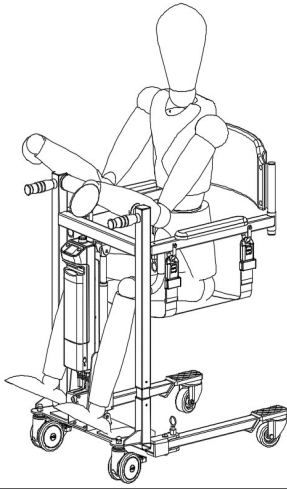
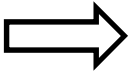


Operation of the lift

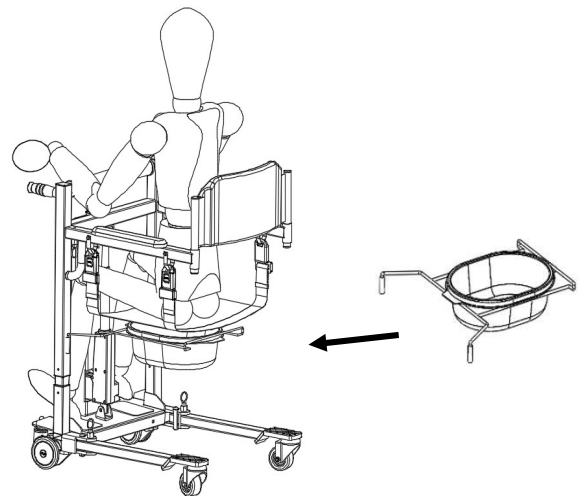
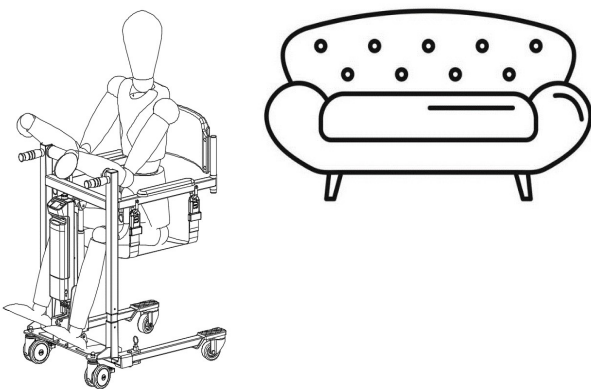
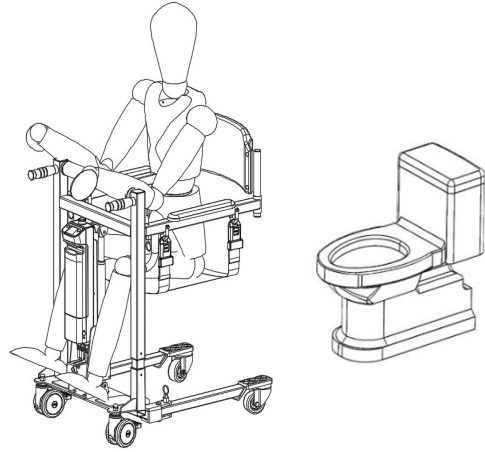
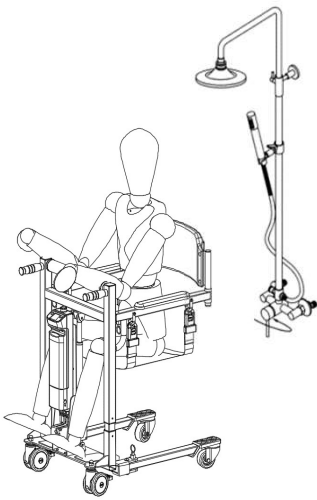


Step ①: The patient sits on the edge of the bed with a sling underneath

Step ②: Push in the lift, brake the front wheel, and fasten the sling with 4 slings.

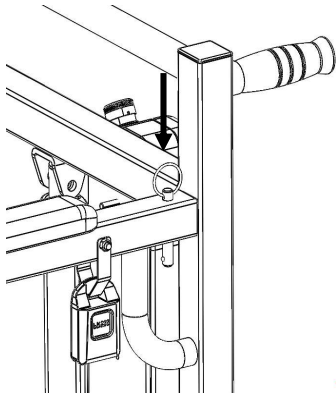


Step ③: Install the backrest, raise the height, and remove the patient

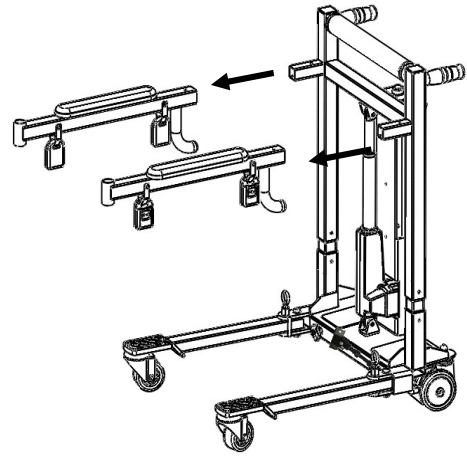


Storage of the lift

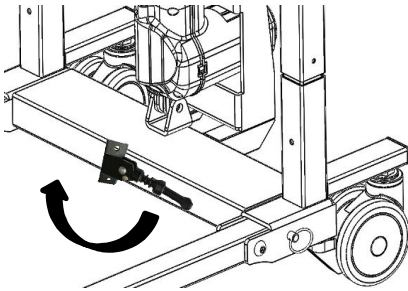
When the lift is not in use, the lift can be simply disassembled and put away so that it will not occupy a large space and be placed in an unused place or the trunk of the car. The specific steps are as follows:



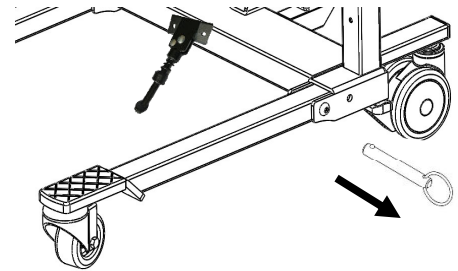
① Pull out the latches on the left and right armrests



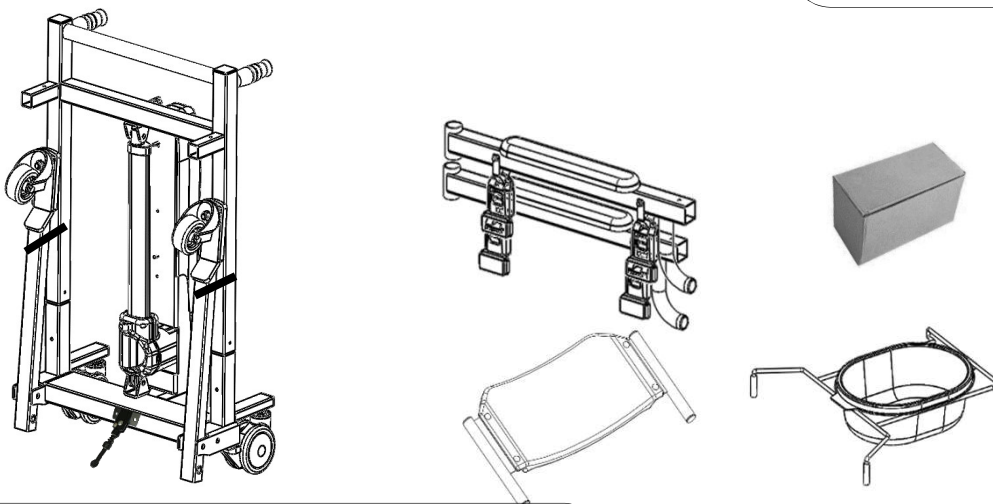
② Remove the left and right armrests



③ Open the feet



④ Pull out the latches of the left and right support legs, fold the support legs, and tie the straps.



⑤ Complete the disassembly, pay attention to the storage of the installation accessories

Battery charging

When the battery power is only 1 bar, it needs to be charged immediately. If it is not charged, the motor will not work (the battery power is shown in the figure).



100% battery



75% battery



50% battery



25% battery

- Note: 1. When charging, please turn off the emergency stop button and then charge again, the charging state of the lift is in the off state;
2. When the lift is not in use for a long time, it is generally charged once every other month;
3. Do not charge in a humid environment;
4. If the lift is not used every day, it is recommended to turn off the emergency stop button, so that the current can be disconnected and the battery power can be saved.